

Ocean Container Dimensions



STANDARD 20'

INSIDE LENGTH	19'4"	5.89 m
INSIDE WIDTH	7'8"	2.33 m
INSIDE HEIGHT	7'10"	2.38 m
DOOR WIDTH	7'8"	2.33 m
DOOR HEIGHT	7'6"	2.28 m
CAPACITY	1,172 ft ³	33.18 m ³
TARE WEIGHT	4,916 lb	2,229 kg
MAX. CARGO	47,999 lb	21,727 kg

	STANDARD 40'		HIGH CUBE 40'	
INSIDE LENGTH	39'5"	12.01 m	39'5"	12.01 m
INSIDE WIDTH	7'8"	2.33 m	7'8"	2.33 m
INSIDE HEIGHT	7'10"	2.38 m	8'10"	2.69 m
DOOR WIDTH	7'8"	2.33 m	7'8"	2.33 m
DOOR HEIGHT	7'6"	2.28 m	8'5"	2.56 m
CAPACITY	2,390 ft ³	67.67 m ³	2,694 ft ³	76.28 m ³
TARE WEIGHT	8,160 lb	3,701 kg	8,750 lb	3,968 kg
MAX. CARGO	59,040 lb	26,780 kg	58,450 lb	26,512 kg



	OPEN TOP 20'		OPEN TOP 40'	
INSIDE LENGTH	19'4"	5.89 m	39'5"	12.01 m
INSIDE WIDTH	7'7"	2.31 m	7'8"	2.33 m
INSIDE HEIGHT	7'8"	2.33 m	7'8"	2.33 m
DOOR WIDTH	7'6"	2.28 m	7'8"	2.33 m
DOOR HEIGHT	7'2"	2.18 m	7'5"	2.26 m
CAPACITY	1,136 ft ³	32.16 m ³	2,350 ft ³	66.54 m ³
TARE WEIGHT	5,280 lb	2,394 kg	8,490 lb	3,850 kg

MAX. CARGO	47,620 lb	21,600 kg	58,710 lb	26,630 kg
-------------------	-----------	-----------	-----------	-----------



	REEFER 20'		REEFER 40'	
INSIDE LENGTH	17'8"	5.38 m	37'8"	11.48 m
INSIDE WIDTH	7'5"	2.26 m	7'5"	2.26 m
INSIDE HEIGHT	7'5"	2.26 m	7'2"	2.18 m
DOOR WIDTH	7'5"	2.26 m	7'5"	2.26 m
DOOR HEIGHT	7'3"	2.20 m	7'0"	2.13 m
CAPACITY	1,000 ft ³	28.31 m ³	2,040 ft ³	57.76 m ³
TARE WEIGHT	7,040 lb	3,193 kg	10,780 lb	4,889 kg
MAX. CARGO	45,760 lb	20,756 kg	56,276 lb	25,526 kg



	FLAT RACK 20'		FLAT RACK 40'	
INSIDE LENGTH	18'5"	5.61 m	39'7"	12.06 m
INSIDE WIDTH	7'3"	2.20 m	6'10"	2.08 m
INSIDE HEIGHT	7'4"	2.23 m	6'5"	1.95 m
TARE WEIGHT	5,578 lb	2,530 kg	12,081 lb	5,479 kg
MAX. CARGO	47,333 lb	21,469 kg	85,800 lb	38,918 kg

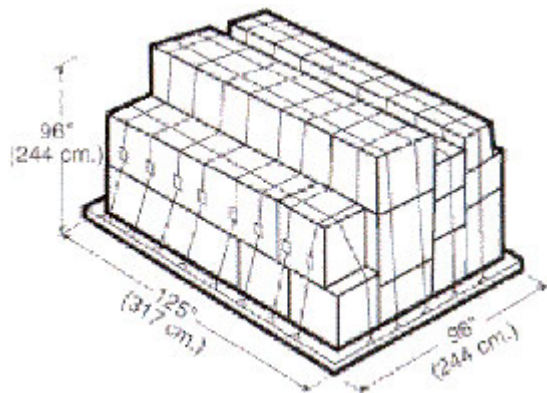


	FLAT RACK COLLAPSIBLE 20'		FLAT RACK COLLAPSIBLE 40'	
INSIDE LENGTH	18'6"	5.63 m	39'7"	12.06 m
INSIDE WIDTH	7'3"	2.20 m	6'10"	2.08 m
INSIDE HEIGHT	7'4"	2.23 m	6'5"	1.95 m
TARE WEIGHT	6,061 lb	2,749 kg	12,787 lb	5,800 kg
MAX. CARGO	61,117 lb	27,722 kg	85,800 lb	38,918 kg



	PLATFORM 20'		PLATFORM 40'	
INSIDE LENGTH	19'11"	6.07 m	40'0"	12.19 m
INSIDE WIDTH	8'0"	2.43 m	8'0"	2.43 m
INSIDE HEIGHT	7'4"	2.23 m	6'5"	1.95 m
TARE WEIGHT	6,061 lb	2,749 kg	12,783 lb	5,798 kg
MAX. CARGO	52,896 lb	23,993 kg	66,397 lb	30,117 kg

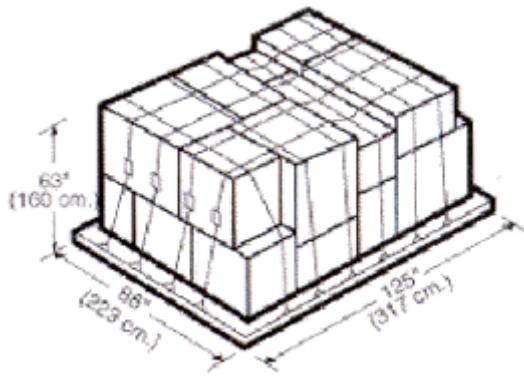
Air Container Dimensions



Main Deck Pallet

(Equivalent to IATA Type 2)

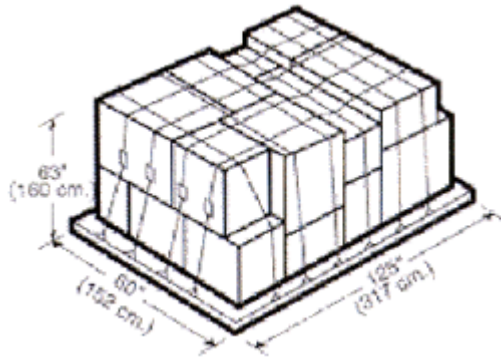
External Displacement:	606 cu ft/17.16 cu m
Maximum Gross Weight:	15,000 lb/6,804 kg
Maximum External Dimensions:	(L x W x H) Contoured
	125" x 96" x 96"
	317cm x 244cm x 244cm



LD-7

(Equivalent to IATA Type 5)

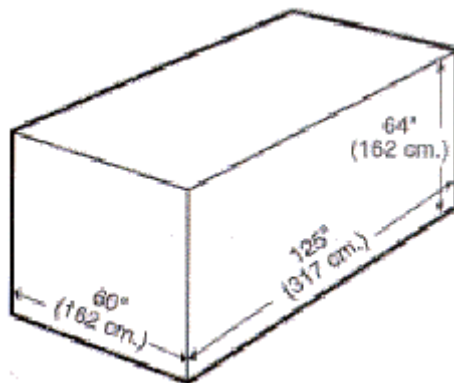
External Displacement:	379.9 cu ft/10 cu m
Maximum Gross Weight:	10,200 lb/4,627 kg
Maximum External Dimensions:	(L x W x H) Contoured
	125" x 88" x 63"
	317 cm x 223 cm x 160 cm



P9A Lower Deck Pallet

(Equivalent to IATA Type 6)

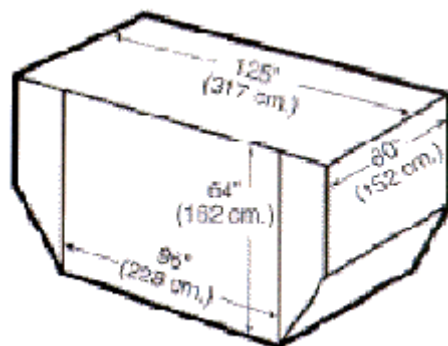
External Displacement:	242 cu ft/6.9 cu m
Maximum Gross Weight:	7,000 lbs/3,176 kg
Maximum External Dimensions:	(L x W x H) Contoured
	125" x 60" x 63"
	317 cm x 152 cm x 160 cm



LD-11

(Equivalent to IATA Type 6)

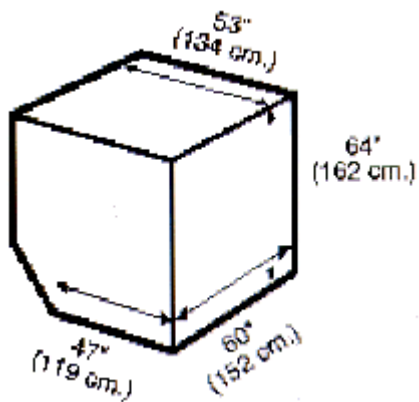
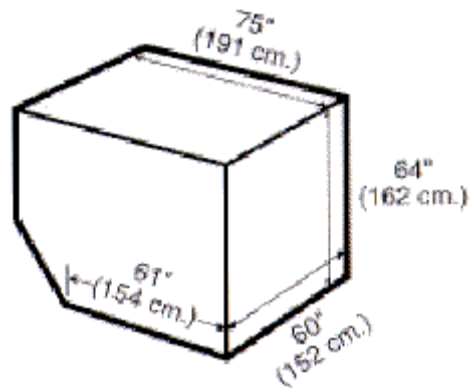
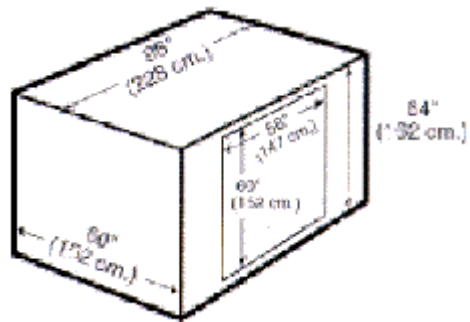
Internal Capacity:	242 cu ft/6.9 cu m
Maximum Gross Weight:	7,000 lbs/3,176 kg
Maximum External Dimensions:	(L x W x H) Contoured
	125" x 60" x 64"
	317 cm x 162 cm x 162 cm



LD-8

(Equivalent to IATA Type 6A)

Internal Capacity:	243 cu ft/6.9 cu m
Maximum Gross Weight:	5,400 lb/2,450 kg
Maximum External Dimensions:	(L x W x H) Contoured
	96" x 60" x 64"
	228 cm x 152 cm x 162 cm



LD-4

(Equivalent to IATA Type 7A)

Internal Capacity:	174 cu ft/5 cu m
Maximum Gross Weight:	5,400 lb/2,450 kg
Maximum External Dimensions:	(L x W x H) Contoured
	96" x 60" x 64"
	228 cm x 152 cm x 162 cm

LD-3

(Equivalent to IATA Type 8)

Internal Capacity:	150 cu ft/4 cu m
Maximum Gross Weight:	3,500 lb/1,588 kg
Maximum External Dimensions:	(L x W x H) Contoured
	61" x 60" x 64"
	154 cm x 152 cm x 162 cm

LD-2

(Equivalent to IATA Type 8D)

Internal Capacity:	120 cu ft/3 cu m
Maximum Gross Weight:	2,700 lb/1,225 kg
Maximum External Dimensions:	(L x W x H) Contoured
	47" x 60" x 64"
	119 cm x 152 cm x 162 cm